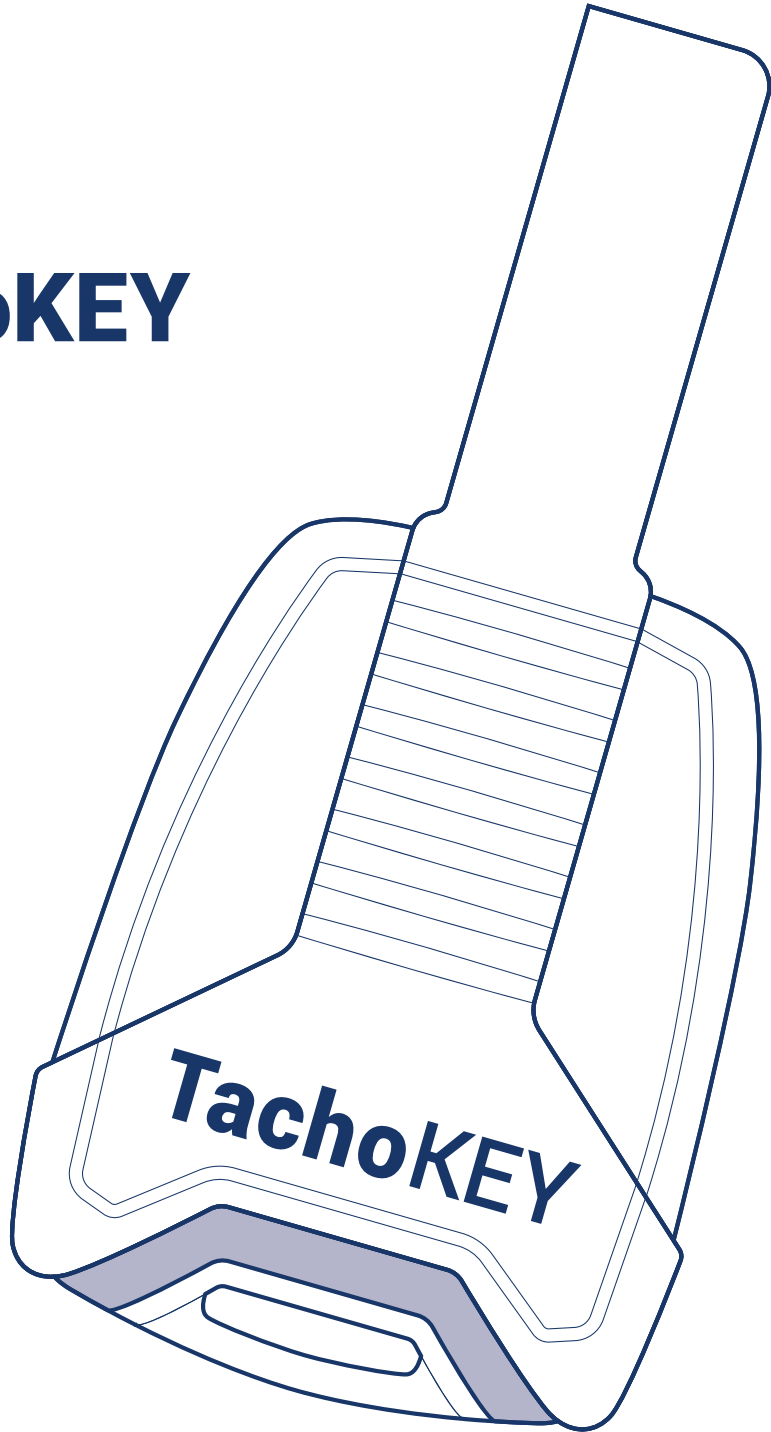
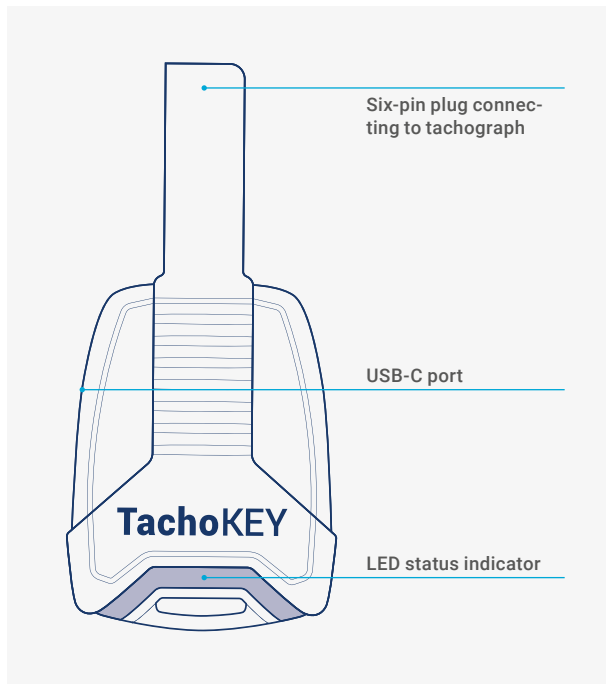


DAKO TachoKEY

Operating instructions



| | |
|------------------------------|--------|
| The new DAKO TachoKEY | Page 2 |
| Operating instructions | Page 2 |
| Technical data | Page 4 |



The new DAKO TachoKEY

Your download key for simple, manual readout of tachograph and driver card data

Simply insert the DAKO TachoKEY into the tachograph and the readout process will begin automatically. And with our DAKO TransferApp you can transfer your data to the DAKO web platform effortlessly and securely. This way, your data is archived in compliance with the law in no time at all. The instructions below explain how to set up and use the TachoKEY with the accompanying app.

Operating instructions

Step 1: Download and setup of the DAKO TransferApp

You only need to carry out the setup process shown here once. For the routine process of reading out and transferring tachograph and driver card data, go directly to step 2.

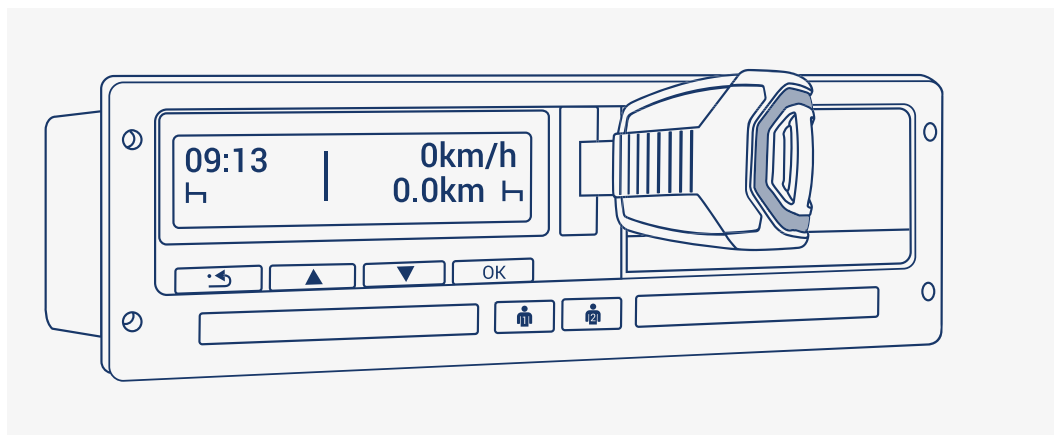
1. Scan the QR code with your device or search for "DAKO TransferApp" in the Google Play Store and install the app.
2. Turn the ignition switch of the vehicle to position 1 (accessory).



TransferApp



Scan the QR Code & open [DAKO TransferApp](#) in Google Play Store



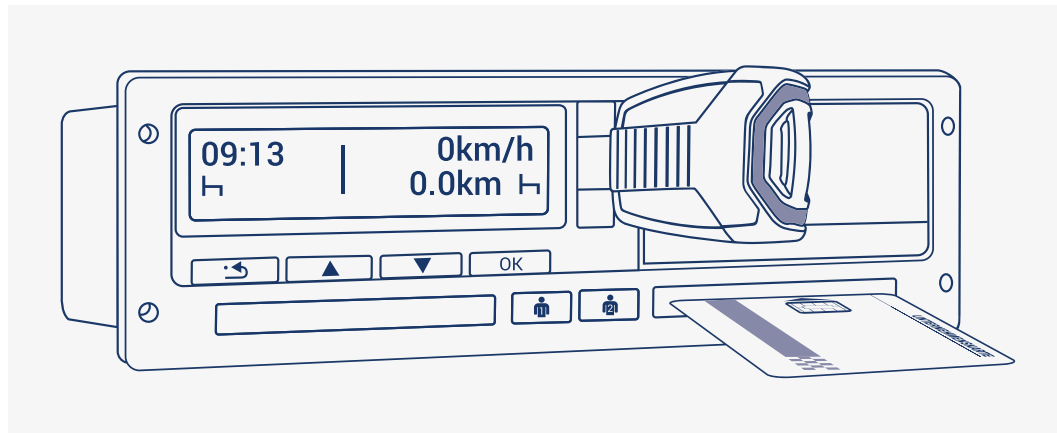
3. Insert the DAKO TachoKEY into the download port on the tachograph.
4. Open the DAKO TransferApp.
5. Activate Bluetooth on your device and, if necessary, grant Bluetooth authorisation / pairing with your device.
6. Tap "Connect DAKO TachoKEY" and select the available TachoKEY.
7. Assign a password once (note guidelines) and confirm.
8. The DAKO TransferApp connects to the TachoKEY and will thereafter automatically recognise it in the future. It will not be necessary to enter your password again after this has been done.
9. To pair with other devices (e. g. smartphone or tablet) in your company, follow the above steps again and enter the previously set password.

Note:

When used for the first time, the data download will begin as soon as the DAKO TachoKEY is plugged in. Nonetheless, please follow the subsequent steps to connect the download key to the app.

Step 2: Reading out and data transfer

1. Turn the ignition switch of the vehicle to position 1 (accessory).
2. Insert the company card and / or driver card into the tachograph.
3. Insert the DAKO TachoKEY into the download port on the tachograph.



4. For a successful connection, Bluetooth must be activated on the end device with DAKO TransferApp (e. g. smartphone or tablet).
5. Open the DAKO TransferApp on your device. A DAKO TachoKEY paired once before will automatically connect to the app.
6. Select the data you want to download (tachograph and / or driver card data) and start the transfer. The app will inform you about the current transfer status.
7. Do not remove the TachoKEY from the tachograph until the LED signal light is permanently green.

| LED signal | Meaning |
|-----------------------|--|
| Permanent blue light | TachoKEY inserted, waiting mode |
| Pulsing blue light | Download in progress |
| Permanent green light | Download successful, TachoKEY can be removed from the device |
| Permanent red light | Unknown hardware error |
| Pulsing red light | Download error /communication error / storage error |
| Pulsing yellow light | TachoKEY storage is full |

Tab. 1 LED signals DAKO TachoKEY / Tachograph

Data transfer via DAKO TachoStation

You can also transfer your tachograph and driver card data securely at a DAKO TachoStation in your company or at one of approx. 450 public TachoStations throughout Europe. You can also update your TachoKEY firmware or change specific settings.

| LED signal | Meaning |
|-----------------------|---|
| Permanent blue light | TachoKEY inserted, waiting mode |
| Pulsing blue light | Data transfer from the TachoKEY started |
| Permanent green light | Successful completion of data transfer, TachoKEY can be removed from the device |
| Permanent red light | Data transmission failed, error information will be shown on the TachoStation's display |

Tab. 2 LED signals DAKO TachoKEY / DAKO TachoStation




Data transfer / updates via DAKO TransferTool

Both, data transfer and updates of the TachoKEY firmware, are possible with the help of a desktop PC (connection via USB-C cable) and the DAKO TransferTool. You can download the latter along with detailed instructions for data transfer and updates via the following link:

<https://downloads.dako.de/Programme/TransferTool.zip>

Technical data

| | |
|-------------------------|--|
| Power supply | Via 6-pin plug or USB-C, 40 mA max. current consumption 12-21 Volt |
| System requirements | <ul style="list-style-type: none">• At least Android Version 8• At least Bluetooth 4.0 |
| Protection features | Overcurrent fuse 60mA |
| Interfaces | USB 2.0 (PC) to USB-C (TachoKEY), or Bluetooth Low Energy® |
| Configuration | Via DAKO TachoStation, PC (Software) |
| Internal storage | Flash storage 64 MB |
| Status display | LED light strip |
| Connector | 1 x 6-pin |
| Operating temperature | -10° to +60 °C |
| Device protection level | IP 20 |
| Weight | 20 g |
| Dimensions | Length: 84 mm, width: 44 mm, height: 16 mm |
| Permits | CE, Restrictive Use of Hazardous Substances (RoHS) 2011/65/EU, EMC Guidelines 2004/108/EG |
| WEEE-Reg.-Nr. | DE 57318687 |
| Features | <ul style="list-style-type: none">• Read-out of data from digital tachographs without SD/SDHC card (Download driver cards, download mass memory from the last 92 days)• Data transmission via app, TachoStation or PC• Standard protocol: DTCO @ 1381 for VDO, Stoneridge, Intellic, Actia |
| Product picture |  |



DAKO GmbH

CEO Thomas Becker
Brüsseler Str. 22, 07747 Jena
P +49 3641 22778 0
info@dako.de, www.dako.de

Registergericht Jena, HRB 512470
VAT: DE 237 198 855
Registered in Jena
WEEE-Reg.-Nr. DE 57318687

DAKO Customer Service

P +49 3641 22778 700
M ticket@dako.de
W dako.de/en/contact/service-and-support/

Information obligations according to § 18 section 4 sentence 3 ElektroG:
<https://www.bmuv.de/themen/wasser-ressourcen-abfall/kreislaufwirtschaft/statistiken/elektro-und-elektronikaltgeraete>